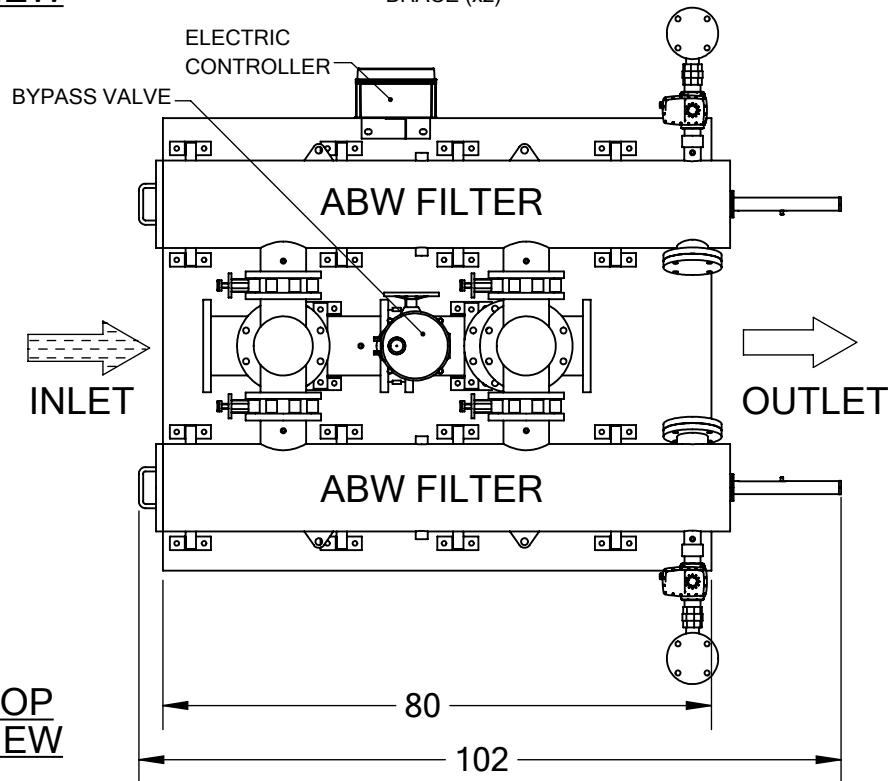
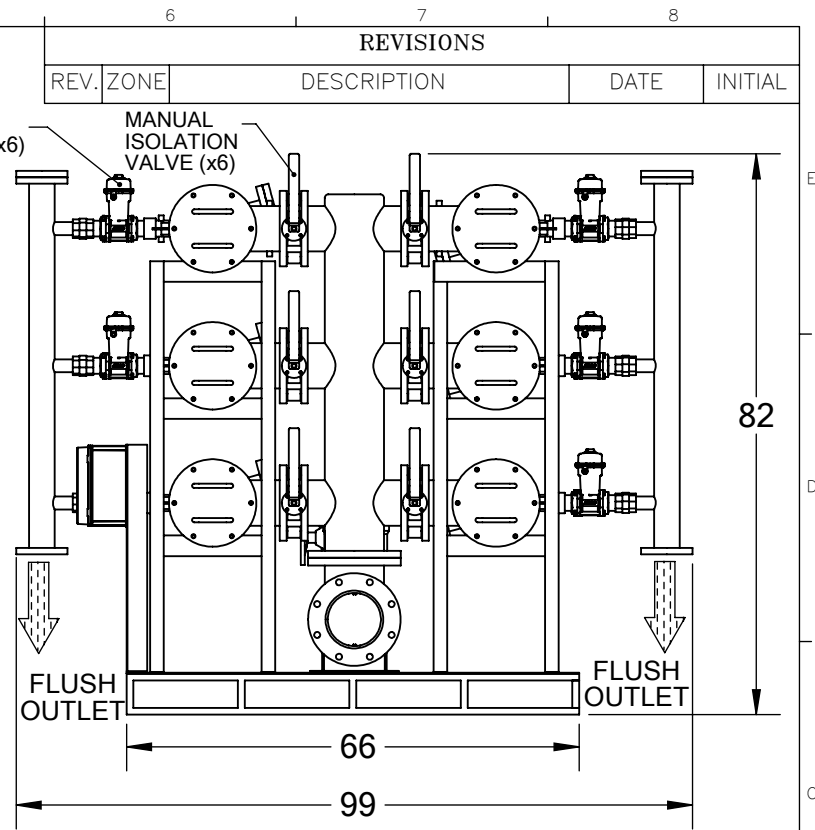


**SIDE VIEW**



**TOP VIEW**



**FRONT VIEW**

REVISIONS				
REV.	ZONE	DESCRIPTION	DATE	INITIAL

- NOTES:
1. MINI-FILTERS, D/P SWITCH, HARDWARE, HYDRAULIC & ELECTRICAL CONNECTIONS NOT SHOWN.
  2. ELECTRIC CONTROLLER MAY BE MOUNTED ELSEWHERE ON SKID BASE & VARY IN SIZE.
  3. ACTUAL VALVES & CONNECTING PIPES USED MAY DIFFER SLIGHTLY AND BE ORIENTED DIFFERENTLY.
  4. DIMENSIONS ARE APPROXIMATES AND MAY VARY SLIGHTLY.
  5. NUMBER OF BRACES MAY VARY.
  6. SERVICE AREAS NOT TO SCALE.

**TOLERANCES**  
(UNLESS OTHERWISE SPECIFIED)

FRAC. $\pm 1/16$	ANGLE $\pm 1^\circ$
.X $\pm .1$	
.XX $\pm .05$	
.XXX $\pm .010$	

UNAUTHORIZED USE, MANUFACTURE OR REPRODUCTION IN WHOLE OR IN PART IS PROHIBITED. DRAWING, DESIGN AND OTHER DISCLOSURES PROPERTY OF TEKLEEN AUTOMATIC FILTERS, INC.

**TEKLEEN**  
Automatic Filters Inc.  
2672 S. LA CIENEGA BLVD.  
LOS ANGELES, CA 90034  
MAIN: (310) 839-2828  
FAX: (310) 839-6878

<b>MATERIAL:</b>	VARIES
<b>DRAWN BY:</b>	S. PERKINSON
<b>DATE:</b>	01/12/2018
<b>SCALE:</b>	1:28
<b>SHEET:</b>	1 OF 1

<b>TITLE:</b>	6x ABW FILTERS ON SKID UNIT (LAYERED) LAYOUT DRAWING, (4-XLP, 6-XLP, & 8-LP MODELS)
<b>DRAWING NUMBER</b>	SKID-6ABW-LAYERED-1
<b>REV</b>	N/A