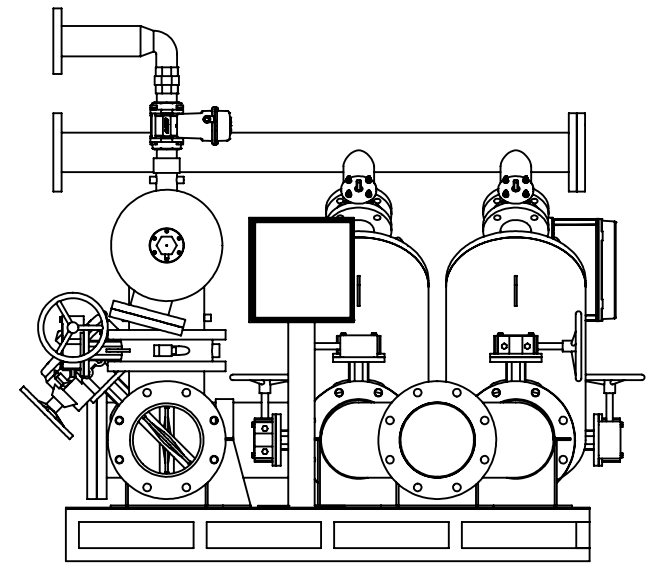
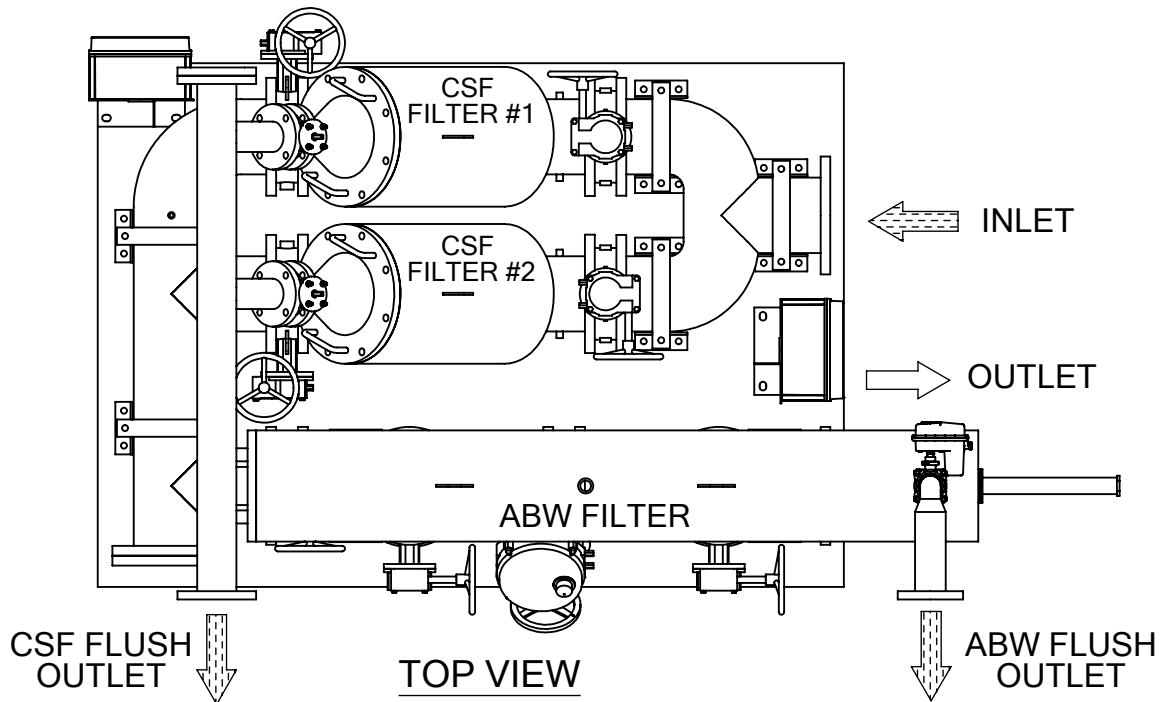


SIDE VIEW

REVISIONS				
REV.	ZONE	DESCRIPTION	DATE	INITIAL


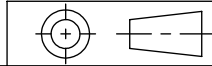


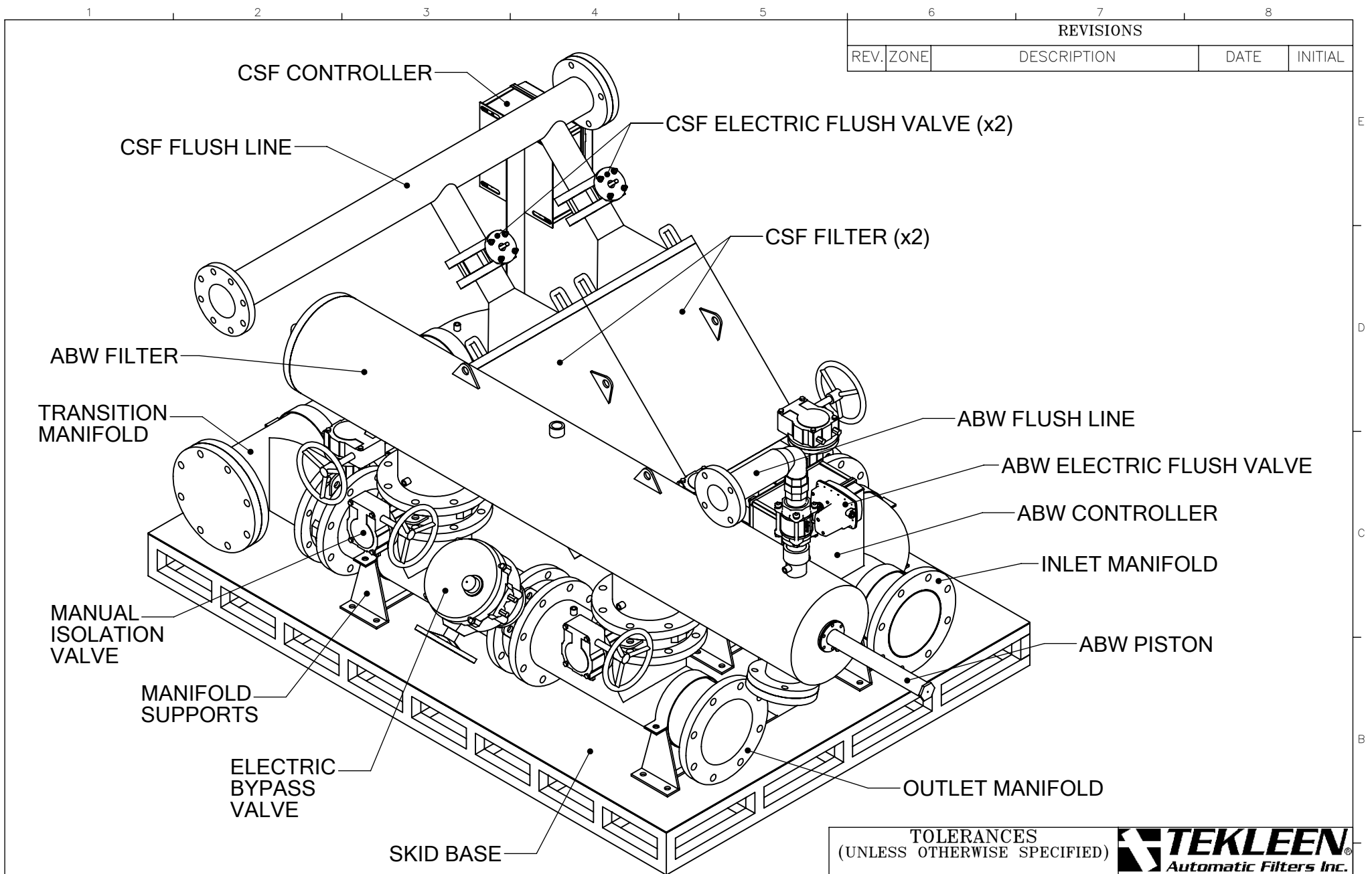
FRONT VIEW



TOP VIEW

- NOTES:
1. HYDRAULIC TUBING, MINI-FILTERS, & ELECTRICAL CONNECTIONS NOT SHOWN.
 2. ELECTRIC CONTROLLERS MAY BE PLACED ELSEWHERE ON SKID.
 3. VALVES SHOWN ARE GENERIC AND MAY VARY SLIGHTLY FROM WHAT IS ACTUALLY USED.

TOLERANCES (UNLESS OTHERWISE SPECIFIED)		 Automatic Filters Inc. 2672 S. LA CIENEGA BLVD. LOS ANGELES, CA 90034 MAIN: (310) 839-2828 FAX: (310) 839-6878
FRAC. $\pm 1/16$.X $\pm .1$.XX $\pm .05$.XXX $\pm .010$	ANGLE $\pm 1^\circ$ 	
MATERIAL: VARIES		TITLE: LAYOUT FOR 2x CSF & 1x ABW FILTERS ON SKID BASE
DRAWN BY: S. PERKINSON		
DATE: 07/02/2014		DRAWING NUMBER SKID-2CSF-ABW-LAY-01 REV N/A
SCALE: 1:22	SHEET: 1 OF 2	



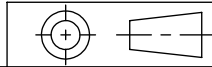
REVISIONS				
REV.	ZONE	DESCRIPTION	DATE	INITIAL

ISOMETRIC VIEW

TOLERANCES
(UNLESS OTHERWISE SPECIFIED)

FRAC. $\pm 1/16$
 .X $\pm .1$
 .XX $\pm .05$
 .XXX $\pm .010$

ANGLE $\pm 1^\circ$



TEKLEEN
Automatic Filters Inc.
 2672 S. LA CIENEGA BLVD.
 LOS ANGELES, CA 90034
 MAIN: (310) 839-2828
 FAX: (310) 839-6878

MATERIAL:	VARIES
DRAWN BY:	S. PERKINSON
DATE:	07/02/2014
SCALE:	1:15

TITLE: LAYOUT FOR 2x CSF & 1x ABW FILTERS ON SKID BASE	
DRAWING NUMBER	REV
SKID-2CSF-ABW-LAY-01	N/A