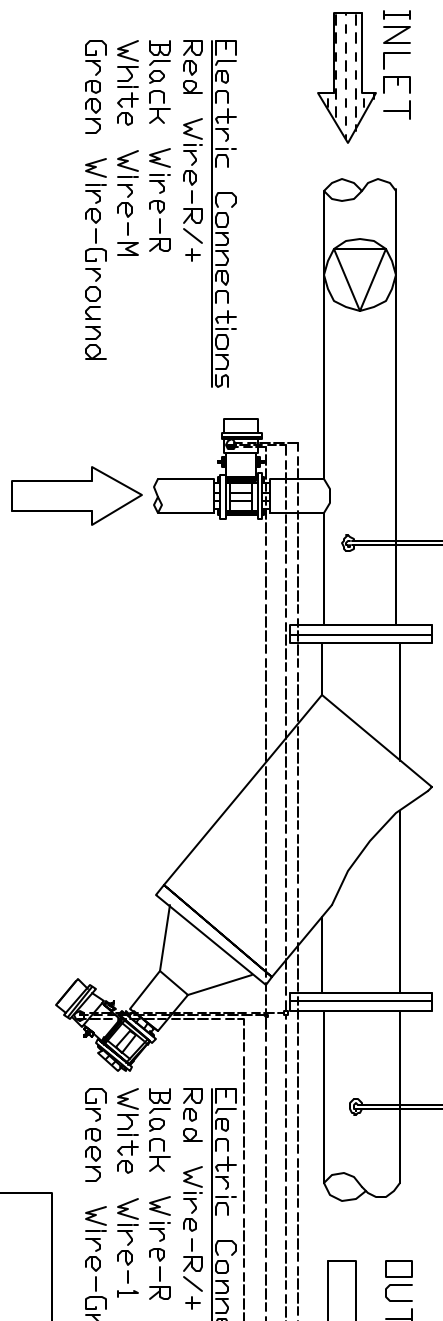
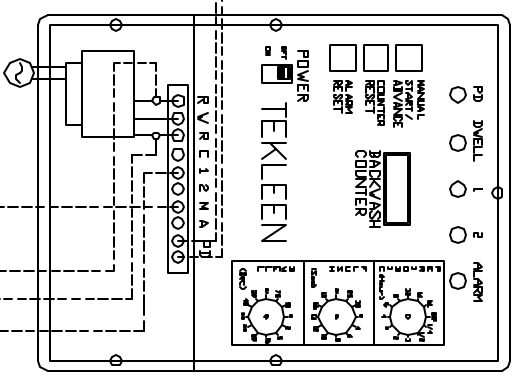


REVISIONS		DATE	APPROVED
ZONE	REV	DESCRIPTION	

GB6 ELECTRIC CONTROLLER



Electric Connections
 Red Wire-R/+
 Black Wire-R
 White Wire-M
 Green Wire-Ground

Electric Connections
 Red Wire-R/+
 Black Wire-R
 White Wire-1
 Green Wire-Ground

UNLESS OTHERWISE SPECIFIED
 DIMENSIONS ARE IN INCHES
 TOLERANCES ANGULAR
 DECIMALS ± .05
 .005 ± .01

AUTOMATIC FILTERS, INC.
 2672 S. LA CIENEGA BLVD.
 LOS ANGELES, CA 90034
 (310) 839-2828 FAX (310) 839-6878

TITLE
 CSF W/ GB6
 City Water Supply

DRAWN	David Stenberg	DATE	10-21-09
CHECKED			
DESIGN			

SIZE	A	DWG NO.	CSF-GB6-EFV
SCALE	1:14	SHEET	OF
REV	0		