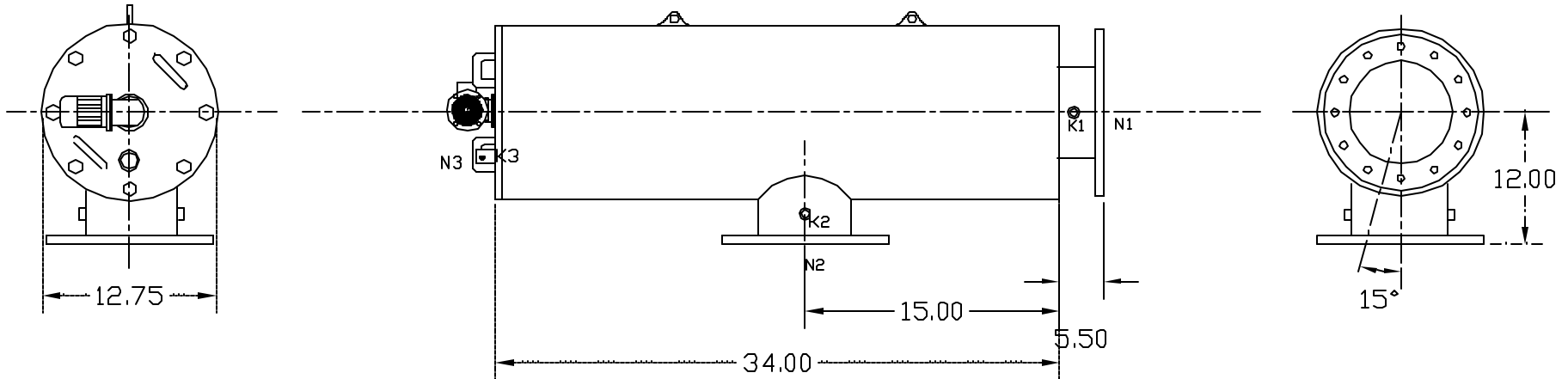


1 2 3 4 5 6 7 8

REVISIONS				
ZONE	REV	DESCRIPTION	DATE	APPROVED



TECHNICAL DATA

Flow Rate Max. 800 GPM  
 Screen Size --- Micron  
 Screen Area 5.0 Sq.Ft.  
 Working Temp. 200 deg. F  
 Working Pressure 150 PSI  
 Empty Weight 200 lbs.  
 Full Weight --- lbs.

NOZZLE	CONNECTION	TYPE OF CONNECTION	SIZE	RATING
K1	Hi. Press. Conn.	Threaded	1/4" NPT(2)	
K2	Low Press. Conn.	Threaded	1/4" NPT(2)	
K3	Flushoutlet Conn.	Threaded	1/4" NPT(2)	
N1	Inlet	Flanged	6" ASA	150 lbs. F.F.
N2	Outlet	Flanged	6" ASA	150 lbs. F.F.
N3	Flushoutlet	Threaded	2" NPT	

UNLESS OTHERWISE SPECIFIED  
 DIMENSIONS ARE IN INCHES  
 TOLERANCES  
 DECIMALS ANGULAR  
 .XX ± .05 ± 0.5 DEG.  
 .XXX ± .01

AUTOMATIC FILTERS, INC.  
 2672 S. LA CIENEGA BLVD.  
 LOS ANGELES, CA 90034  
 (310) 839-2828 FAX (310) 839-6878

DRAWN	DATE
Daniel Stenberg	2-17-06
CHECKED	
DESIGN	

TITLE			
CSB6-L			
SIZE	DWG NO.	REV	
A	CSB6-L	0	
scale 1:14		SHEET OF	