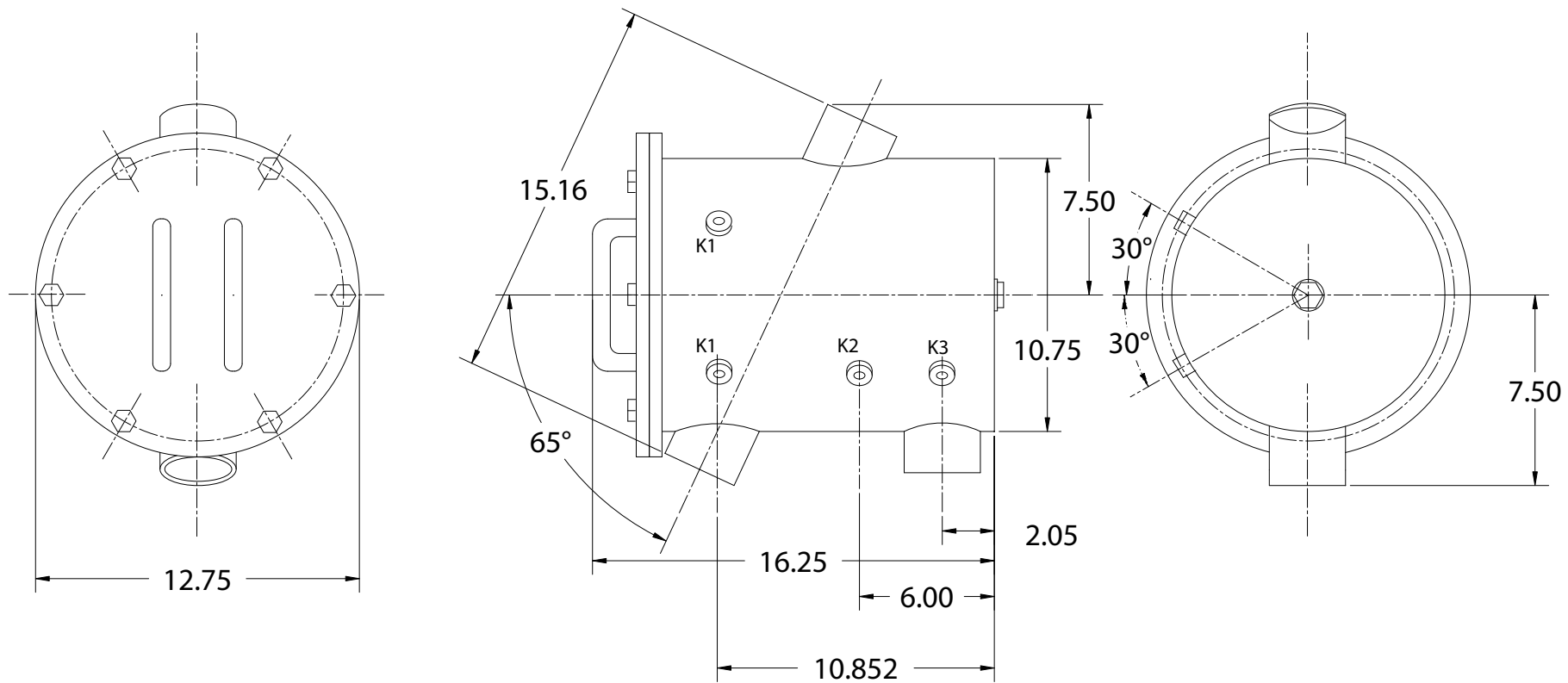


REVISIONS				
ZONE	REV	DESCRIPTION	DATE	APPROVED



NOZZLE	CONNECTION	TYPE OF CONNECTION	SIZE
K1	Hi. Press. Conn.	Threaded	1/4" NPT(2)
K2	Low Press. Conn.	Threaded	1/4" NPT
K3	Hydraulic Conn.	Threaded	1/4" NPT
N1	Inlet	Threaded	2" NPT
N2	Outlet	Threaded	2" NPT
N3	Flushoutlet	Threaded	2" NPT

UNLESS OTHERWISE SPECIFIED DIMENSIONS ARE IN INCHES TOLERANCES DECIMALS ANGULAR .XX + .05 ± 0.5 DEG. .XXX + .01		<b>AUTOMATIC FILTERS, INC.</b> 2672 S. LA CIENEGA BLVD. LOS ANGELES, CA 90034 (310) 839-2828 FAX (310) 839-6878		
		TITLE <h2 style="text-align: center;">ABW2-L</h2>		
DRAWN daniel Stenberg	DATE 6-20-05	SIZE A	DWG NO. ABW2-L	REV 0
CHECKED	DESIGN	SCALE 1:6		SHEET OF