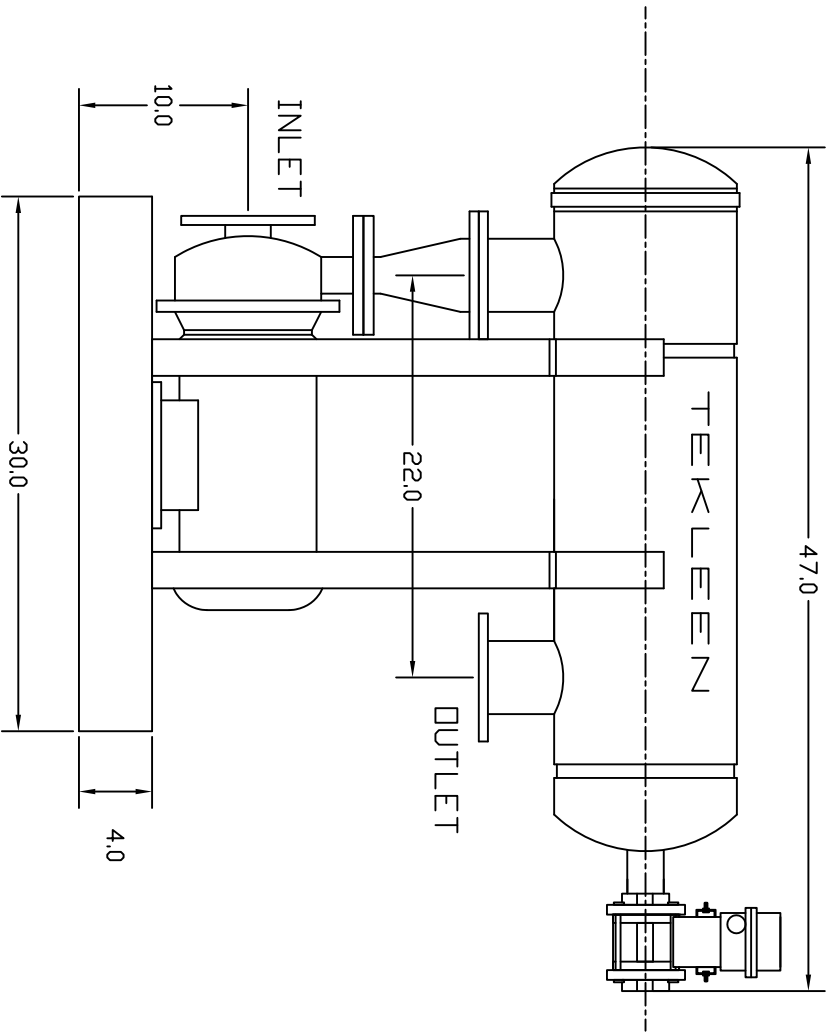
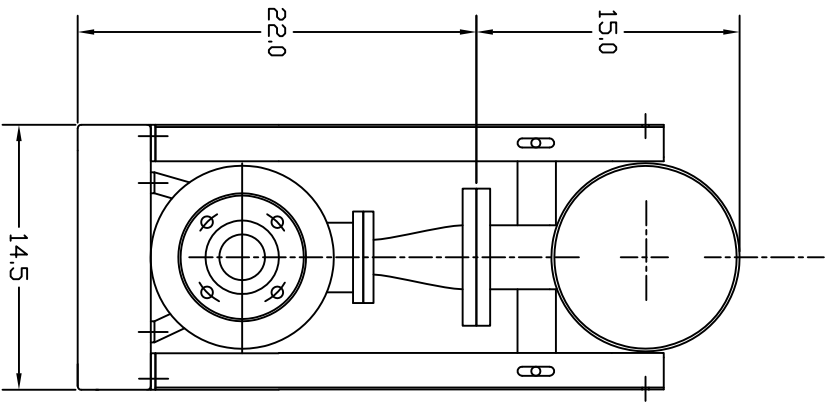


REVISIONS				
ZONE	REV	DESCRIPTION	DATE	APPROVED
1A, 2A, 8D	1	CORRECTED FLOWRATE & PUMP SPECS, REPLACED HYDRAULIC VALVE WITH ELECTRIC BALL VALVE.	11/22/10	SP



FLOWRATE: MAX 500 GPM
 MAX. PRESS: 125 PSI
 PUMP POWER: 7.5-15 HP
 WEIGHT: 300 LBS

UNLESS OTHERWISE SPECIFIED DIMENSIONS ARE IN INCHES TOLERANCES DECIMALS ANGULAR .XX ± .05 ± 0.5 DEG. .XXX ± .01		AUTOMATIC FILTERS, INC. 2672 S. La Cienega Blvd. Los Angeles, CA 90034 (310) 839-2828 FAX (310) 839-6878	
DRAWN	DATE	TITLE	
DMITRIY POLISHCHUK	9-19-03	DBF4-P SKID UNIT	
CHECKED		SIZE	DWG NO.
DESIGN		A	SKID-DBF 4P
		NOT TO SCALE	SHEET 1 OF 1