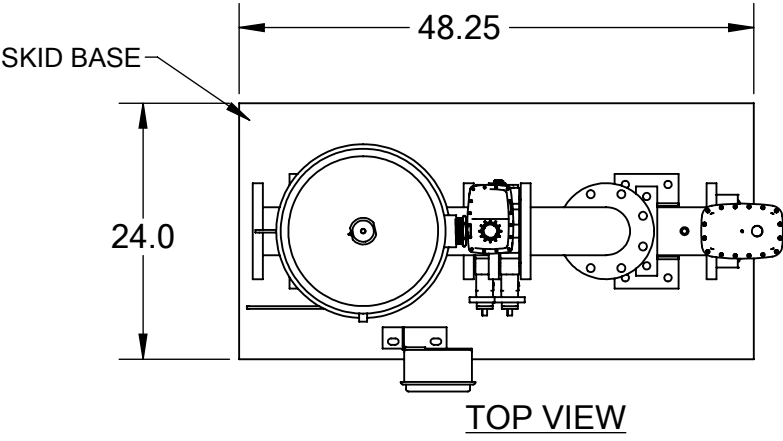
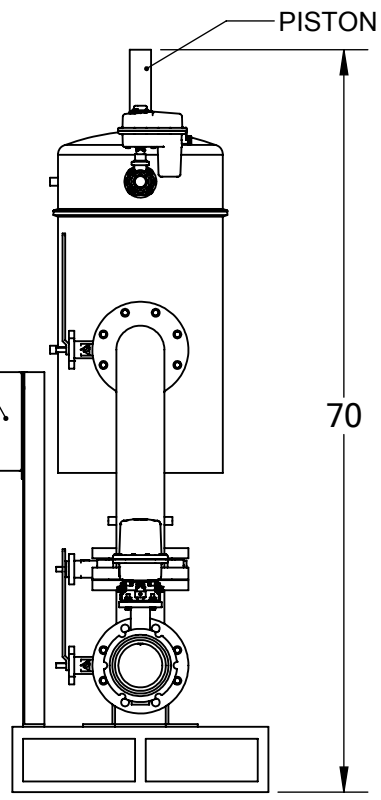
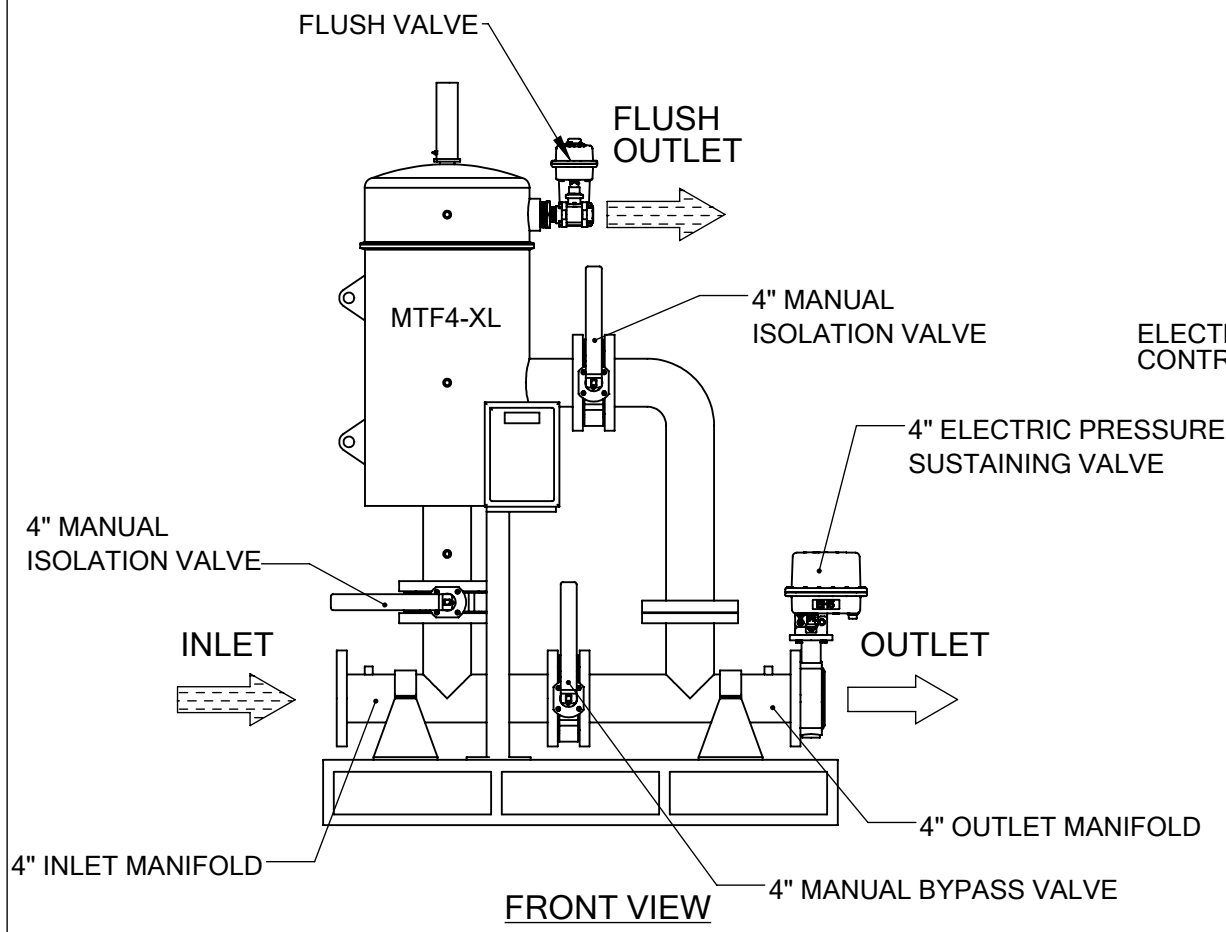


REVISIONS				
REV.	ZONE	DESCRIPTION	DATE	INITIAL

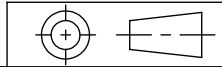


- NOTES:
1. D/P SWITCH, HYDRAULIC TUBING, MINI-FILTERS, AND ELECTRICAL CONNECTIONS NOT SHOWN.
 2. DIMENSIONS ARE APPROXIMATES AND MAY VARY SLIGHTLY.
 3. MANIFOLDS, SKID UNIT, AND SUPPORT BRACKETS CAN BE DESIGNED BASED ON CUSTOMER SPECIFICATIONS.
 4. VALVES SHOWN ARE GENERIC AND MAY VARY SLIGHTLY FROM WHAT IS ACTUALLY USED.

TOLERANCES
(UNLESS OTHERWISE SPECIFIED)

FRAC. $\pm 1/16$
 .X $\pm .1$
 .XX $\pm .05$
 .XXX $\pm .010$

ANGLE $\pm 1^\circ$



TEKLEEN
Automatic Filters Inc.
 2672 S. LA CIENEGA BLVD.
 LOS ANGELES, CA 90034
 MAIN: (310) 839-2828
 FAX: (310) 839-6878

MATERIAL: VARIES

DRAWN BY: M. SERRANO

DATE: 12/04/20

SCALE: 1:18

TITLE: LAYOUT FOR MTF4-XL FILTER ON A SKID UNIT, WITH PRESSURE SUSTAINING VALVE

DRAWING NUMBER SKID-MTF4-XL-LAY-04

REV N/A