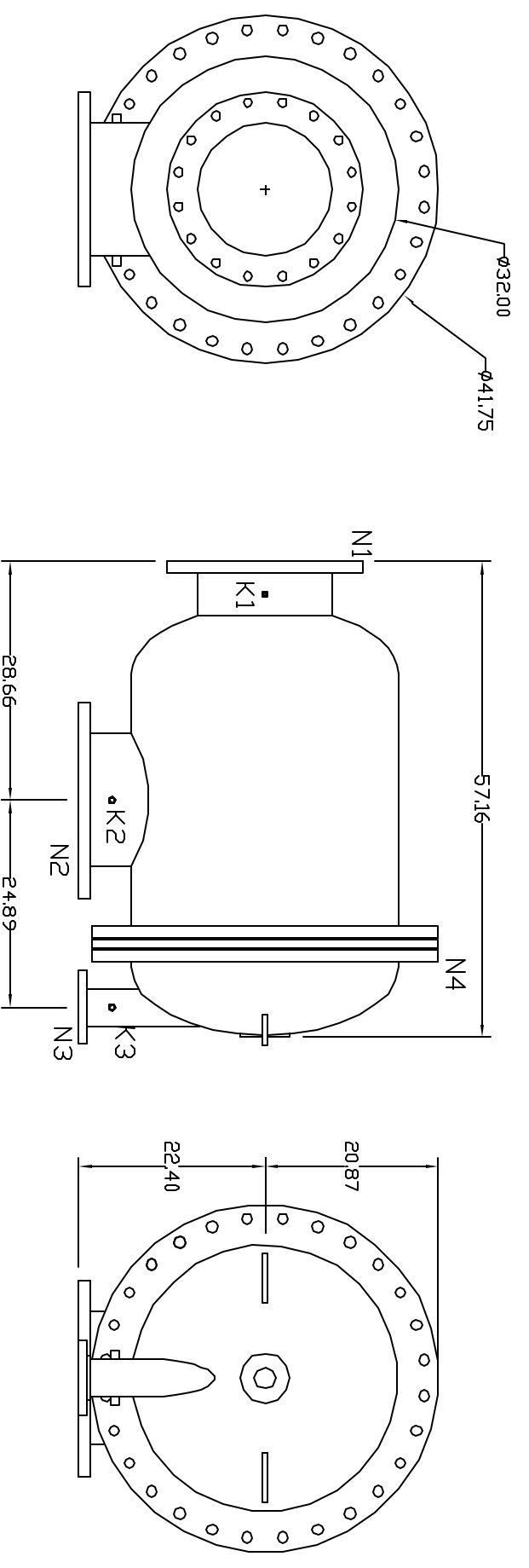


1	2	3	4	5	6	7	8
REVISIONS				REVIEWS			
ZONE	REV	DESCRIPTION	DATE	APPROVED			



**TECHNICAL DATA**

Flow Rate	Max. 6,000 GPM
Screen Size	--- Micron
Screen Area	16.0 sq.ft
Working Temp.	200 deg. F
Working Pressure	200 PSI
Empty Weight	1000 lbs.
Full Weight	2200 lbs.

NOZZLE	CONNECTION	TYPE OF CONNECTION	SIZE	RATING
K1	Hi. Press. Conn.	Threaded	1/4" NPT(2)	150 lbs. F.F.
K2	Low Press. Conn.	Threaded	1/4" NPT(2)	150 lbs. F.F.
K3	Hydraulic Conn.	Threaded	1/4" NPT(2)	150 lbs. F.F.
N1	Inlet	Flanged	14" ASA	150 lbs. F.F.
N2	Outlet	Flanged	14" ASA	150 lbs. F.F.
N3	Flushoutlet	Flanged	4" ASA	150 lbs. F.F.
N4	Connection Flange	Flanged	32" AWWA	150 lbs. F.F.

UNLESS OTHERWISE SPECIFIED  
DIMENSIONS ARE IN INCHES  
DECIMALS TOLERANCES  
ANGULAR ± 0.5 DEG  
XXX ± .01

**AUTOMATIC FILTERS, INC.**  
2672 S. LA CIENEGA BLVD.  
LOS ANGELES, CA 90034  
(310) 839-2828 FAX (310) 839-6878

DRAWN	DATE	TITLE
Daniel Stenberg	1-22-07	MTF 14-L Filter
CHECKED		SIZE
		A
DESIGN		NOT TO SCALE
		SHEET
		OF

A

B

C

D

E