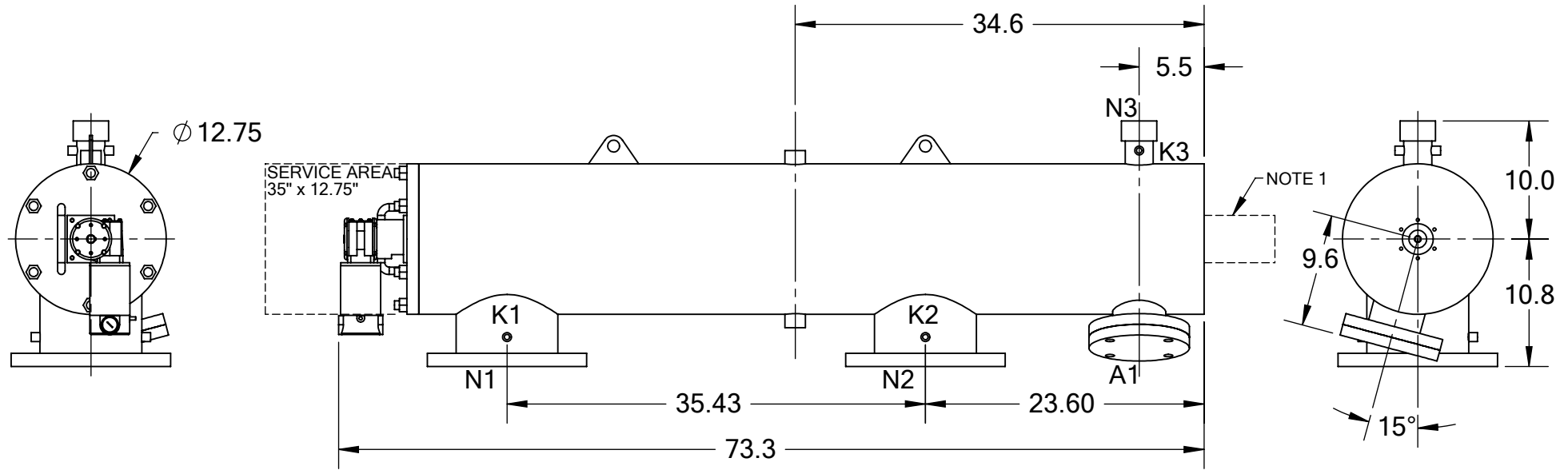


REVISIONS				
REV.	ZONE	DESCRIPTION	DATE	INITIAL
1	7D	ADDED NOTE 1.	04/16/15	M.S.


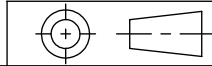


TECHNICAL DATA

FLOW RATE	MAX. 1,320 GPM (300 m <sup>3</sup> /hr)
SCREEN SIZE	____ MICRON
SCREEN AREA	5.0 SQ. FEET
DESIGN TEMPERATURE	160 °F
DESIGN PRESSURE	150 PSI
EMPTY WEIGHT	~340 LBS.
FULL WEIGHT	~800 LBS.

NOTES:

- PLEASE ALLOW ~20" ADDITIONAL TO INSTALL AND REMOVE THE PISTON ASSEMBLY TO THE BACKSIDE OF THE FILTER.

NOZZLE	CONNECTION	TYPE	SIZE	RATING	TOLERANCES (UNLESS OTHERWISE SPECIFIED)		 <b>TEKLEEN</b> <i>Automatic Filters Inc.</i> 2672 S. LA CIENEGA BLVD. LOS ANGELES, CA 90034 MAIN: (310) 839-2828 FAX: (310) 839-6878		
A1	SERVICE PORT	FLANGED	3.5" ASA	CL. #150 F.F. w/ Blind	FRAC. ±1/16	ANGLE ±1°			
A2	PRESSURE RELEASE	THREADED	1" NPT(2)		.X ±.1				
K1	HIGH PRESSURE CONN.	THREADED	1/4" NPT(2)	CLASS #150 F.F.S.O. CLASS #150 F.F.S.O.	.XX ±.05	MATERIAL: SST DRAWN BY: S. PERKINSON DATE: 04/11/12 SCALE: 1:13			
K2	LOW PRESSURE CONN.	THREADED	1/4" NPT(2)		.XXX ±.010				
K3	HYDRAULIC CONN.	THREADED	1/4" NPT(2)						
N1	INLET	FLANGED	8" ASA		MATERIAL: SST		TITLE: LPF8-P FILTER, CUT DRAWING		
N2	OUTLET	FLANGED	8" ASA		DRAWN BY: S. PERKINSON				
N3	FLUSH OUTLET	THREADED	2" NPT		DATE: 04/11/12		DRAWING NUMBER	REV	
						SHEET: 1 OF 1		LPF-8P-CUT-01	1