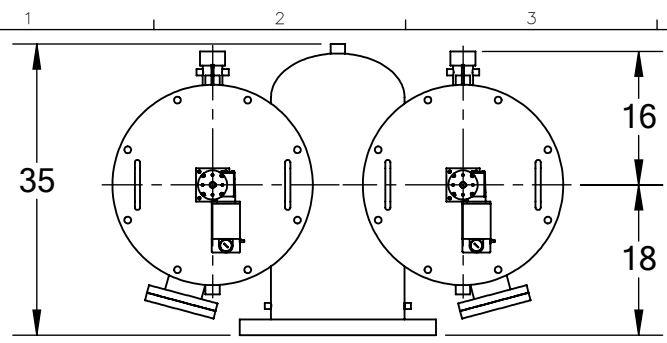
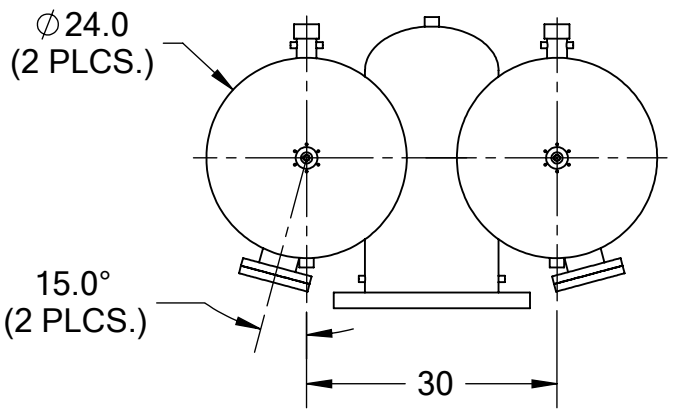


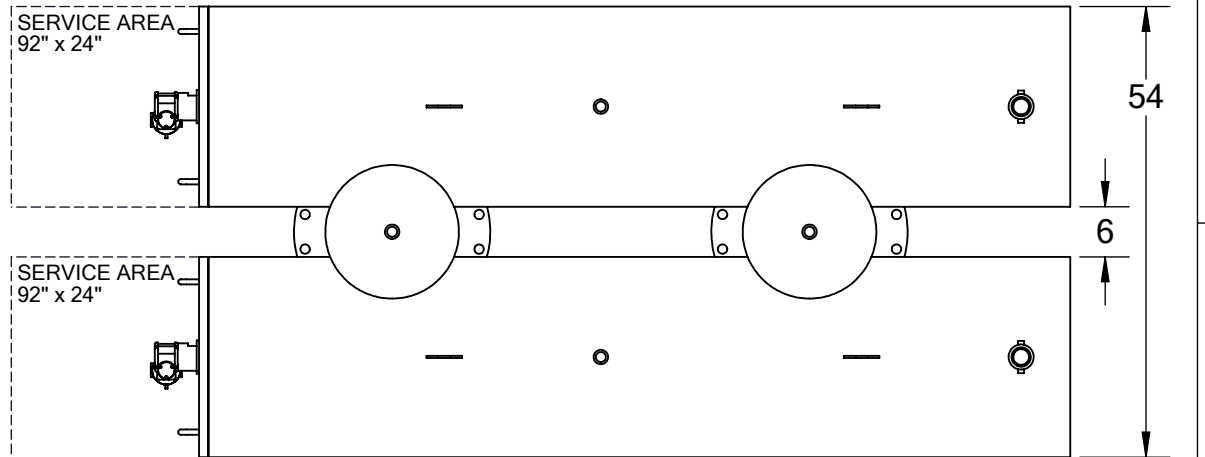
REVISIONS				
REV.	ZONE	DESCRIPTION	DATE	INITIAL



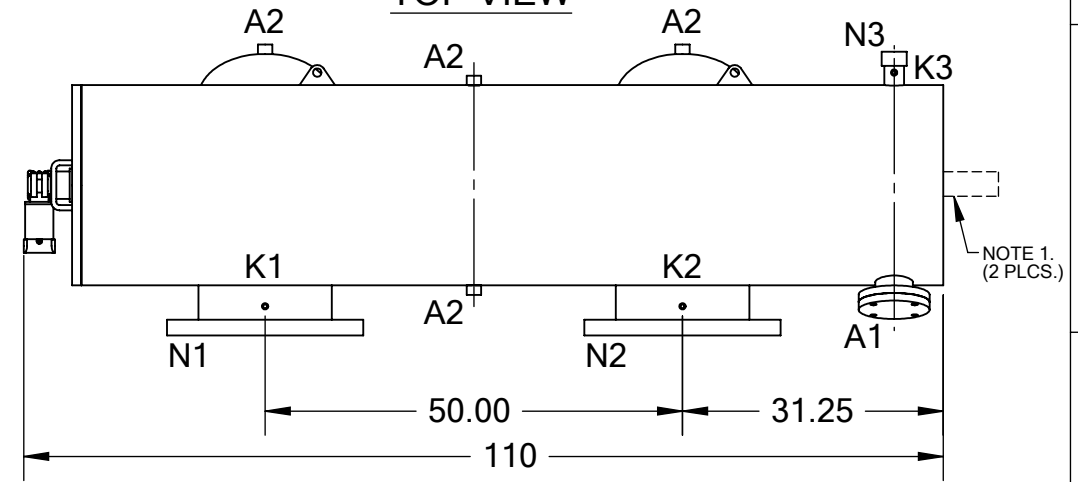
FRONT VIEW



BACK VIEW



TOP VIEW



SIDE VIEW

- NOTES:
- PLEASE ALLOW ~20" ADDITIONAL TO INSTALL AND REMOVE THE PISTON ASSEMBLY TO THE BACKSIDE OF THE FILTER.
 - SOME DIMENSIONS MAY VARY SLIGHTLY UPON CONSTRUCTION.

TECHNICAL DATA

FLOW RATE	MAX. 12,000 GPM (2,725 m ³ /hr)
SCREEN SIZE	____ MICRON
SCREEN AREA	32.0 SQ. FT. (2 x 16.0 SQ. FT.)
DESIGN TEMPERATURE	160 °F
DESIGN PRESSURE	150 PSI
EMPTY WEIGHT	~3,000 LBS.
FULL WEIGHT	~5,000 LBS.

NOZZLE	CONNECTION	TYPE	SIZE	RATING
A1	SERVICE PORT	FLANGED	3.5" ASA(2)	CL. #150 F.F. w/ Blind
A2	PRESSURE RELEASE	THREADED	1" NPT(6)	
K1	HIGH PRESSURE CONN.	THREADED	1/4" NPT(2)	CLASS #150 F.F.S.O.
K2	LOW PRESSURE CONN.	THREADED	1/4" NPT(2)	
K3	HYDRAULIC CONN.	THREADED	1/4" NPT(4)	CLASS #150 F.F.S.O.
N1	INLET	FLANGED	16" ASA	
N2	OUTLET	FLANGED	16" ASA	
N3	FLUSH OUTLET	THREADED	2" NPT(2)	

TOLERANCES (UNLESS OTHERWISE SPECIFIED)	
FRAC. ±1/16	ANGLE ±1°
.X ±.1	
.XX ±.05	
.XXX ±.010	
MATERIAL: SST	
DRAWN BY: S. PERKINSON	
DATE: 11/19/2015	
SCALE: 1:23	SHEET: 1 OF 1

TEKLEEN
Automatic Filters Inc.
2672 S. LA CIENEGA BLVD.
LOS ANGELES, CA 90034
MAIN: (310) 839-2828
FAX: (310) 839-6878

TITLE:
LPF16-TLP FILTER,
CUT DRAWING

DRAWING NUMBER
LPF-16TLP-CUT-01

REV
N/A