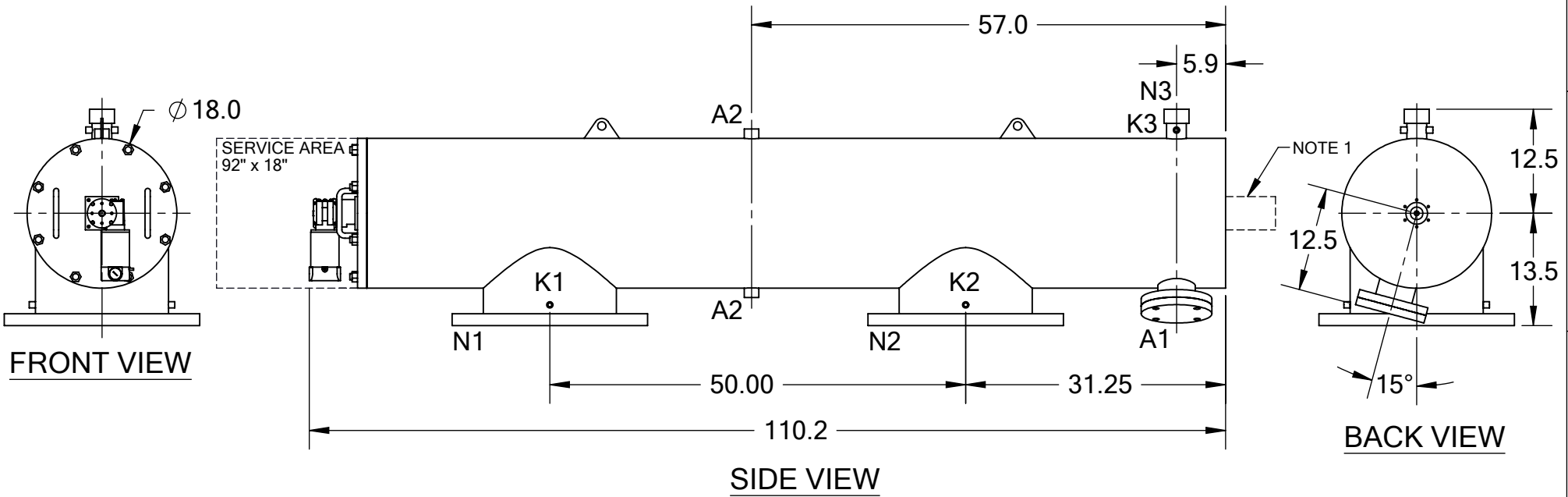


REVISIONS				
REV.	ZONE	DESCRIPTION	DATE	INITIAL
1	7D	ADDED NOTE 1.	04/21/15	M.S.



TECHNICAL DATA

FLOW RATE	MAX. 5,000 GPM (1,136 m ³ /hr)
SCREEN SIZE	___ MICRON
SCREEN AREA	12.5 SQ. FEET
DESIGN TEMPERATURE	160 °F
DESIGN PRESSURE	150 PSI
EMPTY WEIGHT	~925 LBS.
FULL WEIGHT	~1,450 LBS.

NOTES:

- PLEASE ALLOW ~20" ADDITIONAL TO INSTALL AND REMOVE THE PISTON ASSEMBLY TO THE BACKSIDE OF THE FILTER.

NOZZLE	CONNECTION	TYPE	SIZE	RATING	TOLERANCES (UNLESS OTHERWISE SPECIFIED)	 2672 S. LA CIENEGA BLVD. LOS ANGELES, CA 90034 MAIN: (310) 839-2828 FAX: (310) 839-6878
A1	SERVICE PORT	FLANGED	3.5" ASA	CL. #150 F.F. w/ Blind	FRAC. ±1/16	
A2	PRESSURE RELEASE	THREADED	1" NPT(2)		ANGLE ±1°	
K1	HIGH PRESSURE CONN.	THREADED	1/4" NPT(2)		.X ±.1	MATERIAL: SST TITLE: LPF16-P FILTER, CUT DRAWING
K2	LOW PRESSURE CONN.	THREADED	1/4" NPT(2)		.XX ±.05	
K3	HYDRAULIC CONN.	THREADED	1/4" NPT(2)		.XXX ±.010	DRAWING NUMBER LPF-16P-CUT-01
N1	INLET	FLANGED	16" ASA	CLASS #150 F.F.S.O.	MATERIAL: SST	
N2	OUTLET	FLANGED	16" ASA	CLASS #150 F.F.S.O.	DRAWN BY: S. PERKINSON	REV 1
N3	FLUSH OUTLET	THREADED	2" NPT		DATE: 04/24/12	
					SCALE: 1:18	SHEET: 1 OF 1